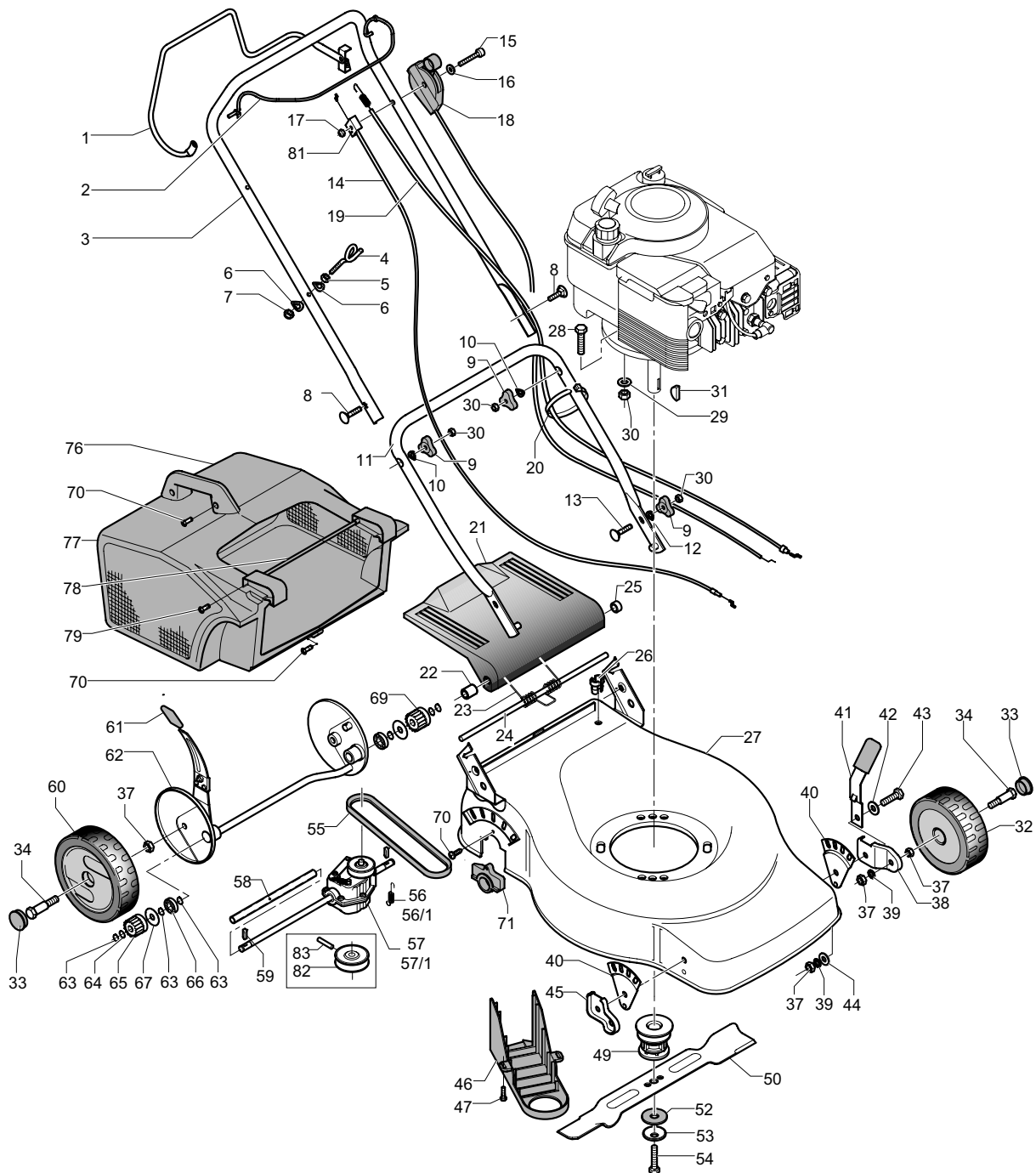


CONSUMER PRODUCT

EIPL2006 V14000002

| BRAND | MODEL | PnC |
|---------|-----------|-----------|
| PARTNER | P 6053 RD | 953878069 |

Spare parts
Ersatzteile
Pièces détachées
Reserve onderdelen
Repuestos
Reservdelar



| Pos. | PN ELX | MEP PIn° | DESCRIPTION | Q.ty | Pos. | PN ELX | MEP PIn° | DESCRIPTION | Q.ty |
|------|-----------|----------|---------------|------|------|-----------|-------------|----------------------|------|
| 1 | 531205616 | 10135883 | CLUTCH LEVER | 1 | 40 | 531212456 | 1014601ZC | SUPPORT | 2 |
| 2 | 531205618 | 10135893 | LEVER | 1 | 41 | 531204913 | 10107203 | ROD | 2 |
| 3 | 531206211 | 10155373 | UPPER HANDLE | 1 | 42 | 531206020 | 10146530 | WASHER | 2 |
| 4 | 531205169 | 10121470 | CABLE HOOK | 1 | 43 | 531204912 | 10107100 | SCREW | 2 |
| 5 | 531207165 | 10501200 | NUT | 1 | 44 | 531207989 | 20113000 | WASHER | 2 |
| 6 | 531204961 | 10115900 | WASHER | 2 | 45 | 531204914 | 10107301 | BEARING | 1 |
| 7 | 531208491 | 20281800 | NUT | 1 | 46 | 531206175 | 10155083 | BELT HOUSING | 1 |
| 8 | 531207089 | 10402401 | SCREW | 2 | 47 | 531207856 | 10831800 | SCREW | 3 |
| 9 | 531204923 | 10114303 | KNOB | 4 | 49 | 531206169 | 10155040 | SUPPORT | 1 |
| 10 | 531207090 | 10402402 | WASHER | 2 | 50 | 531211646 | 10141770 | BLADE | 1 |
| 11 | 531205711 | 10140053 | HANDLE LOWERE | 1 | 52 | 531207243 | 10531700 | WASHER | 1 |
| 12 | 531204922 | 10114200 | WASHER | 2 | 53 | 531207237 | 10530900 | WASHER | 1 |
| 13 | 531204921 | 10114100 | SCREW | 2 | 54 | 531208008 | 20120580 | SCREW | 1 |
| 14 | 531213434 | 10173930 | CABLE | 1 | 55 | 531206176 | 10155100 | BELT | 1 |
| 15 | 531206212 | 10155420 | SCREW | 1 | 56 | 531205216 | 10121920 | SPRING | 1 |
| 16 | 531206666 | 10284700 | WASHER | 1 | 57 | 531212899 | 9155600 | REDUCER | 1 |
| 17 | 531205213 | 10121890 | NUT | 1 | 58 | 531207697 | 10766503 | SPACER TUBE | 1 |
| 18 | 531206210 | 10155360 | ACCELERADOR | 1 | 59 | 531205108 | 10121160 | KEY | 2 |
| 19 | 531206191 | 10155290 | CLUTCH CABLE | 1 | 60 | 531205623 | 10136071 | WHEEL | 2 |
| 20 | 531205581 | 10135600 | CLAMP | 2 | 61 | 531207986 | 20107203 | SHEATING | 1 |
| 21 | 531205485 | 10135071 | DEFLECTOR | 1 | 62 | 531213445 | 1015515ZC/2 | REAR AXLE | 1 |
| 22 | 531205733 | 10140223 | SPACER | 1 | 63 | 531208772 | 20655800 | SEEGER | 6 |
| 23 | 531206180 | 10155190 | SPRING | 1 | 64 | 531208859 | 20761300 | WASHER | 2 |
| 24 | 531205731 | 10140190 | TIE ROD | 1 | 65 | 531205045 | 10120160 | PINION | 1 |
| 25 | 531205732 | 10140213 | SPACER | 1 | 66 | 531208778 | 20657600 | BALL-BEARING | 2 |
| 26 | 531205557 | 10135413 | CABLE LOCK | 1 | 67 | 531207847 | 10831200 | WASHER | 2 |
| 27 | 531204668 | 09155330 | DECK | 1 | 69 | 531205046 | 10120170 | PINION | 1 |
| 28 | 531205196 | 10121700 | SCREW | 3 | 70 | 531208216 | 20135720 | SCREW | 5 |
| 29 | 531207981 | 20106200 | WASHER | 4 | 71 | 531205944 | 10146093 | SUPPORT | 2 |
| 30 | 531207982 | 20106300 | NUT | 7 | 76 | 531208207 | 20135323 | FT SIDE GRASS CATCHE | 1 |
| 31 | 531204907 | 10100900 | KEY | 1 | 77 | 531208203 | 20135313 | HT SIDE GRASS CATCH | 1 |
| 32 | 531205029 | 10120071 | WHEEL | 2 | 78 | 531205547 | 10135330 | TIE ROD | 1 |
| 33 | 531210538 | 10114801 | PLUG | 4 | 79 | 531207937 | 10878000 | SCREW | 2 |
| 34 | 531205042 | 10120090 | SCREW | 4 | 81 | 531208043 | 20121983 | CABLE BEARING | 1 |
| 37 | 531207978 | 20101700 | NUT | 8 | 82 | 531208899 | 20768203 | PULLEY | 1 |
| 38 | 531204915 | 10107302 | BEARING | 1 | 83 | 531207703 | 10768400 | RESILIENT PIN | 1 |
| 39 | 531208974 | 30102100 | WASHER | 4 | | | | | |